

**KUDUX<sup>®</sup>**  
STAGE TECHNOLOGY

**PIXEL ZOOM 285**  
**WASH LED**



**User manual**



**!** Please read the manual before installing and using this lighting  
Keep it for future reference

Thank you for purchasing our device.  
We make every effort to ensure the best  
quality of our products and to meet your  
expectations.

If you have any remarks or comments,  
please share them with us.

We will be grateful for any suggestions  
that will help us make products that are  
even better and devices that satisfy your  
needs.

R&D Team

## Table of contents

|                                    |    |
|------------------------------------|----|
| Statement.....                     | 3  |
| 1. Safety information.....         | 4  |
| 2. Package.....                    | 5  |
| 6. Install standard.....           | 8  |
| 7. Power supply.....               | 9  |
| 8. Control panel menu operate..... | 9  |
| 10. DMX Channels.....              | 13 |
| 11. Clear and maintenance.....     | 17 |
| 12. Contact:.....                  | 17 |

### Statement

The product is good packing when ship out the factory. All users should strictly abide by the warnings and instructions stated in this manual, any damage and results due to misuse and the neglect of this operating manual will be excluded from the deal responsibility this manual will not informed in additionally if have technical changes.

# 1. Safety information

Safety warning:

This product is only suitable for professional use, and does not apply to security for other purposes. After you got the lights, please check the package whether have any damage caused by transportation. If there is any damage, do not use this fixture, and please contact the dealer or manufacturer as soon as possible. This product is only suitable for indoor, IP20 protection class. Lamps should be kept dry to avoid Moisture, overheating or dusty environment. Prevent lamps meet water or any other liquid. The use of this product should pay attention to: fire, heat, electric shock, ultraviolet radiation, the lamp to explode or shedding caused serious or fatal injury. Need to read the instructions before use energized or installing. Follow through the operation of security methods and pay attention to the warning signs on the specification and equipment. If you have any problem for how to safely operate the equipment. Please contact your dealer.

## 1.1. Anti-high temperature

$t_a = 40^{\circ}\text{C}$



Please don't use the equipment if the temperature above  $40^{\circ}\text{C}$

## 1.2. To prevent falling wounding

When Hang the fixture, please must verify that the facilities to be able to withstand at least 10 times or more weight of fixtures. Please make sure the Mounting hardware is strong enough no any damage, and insurance for the safety rope as auxiliary security fixed in other facilities will need to verify before installation. Installing or removing the equipment, to make the pulley below the work location

## 1.3. UV protection and the bulb explosion

Prohibit straight viewpoint with exposed bulbs to avoid UV damage to the eyes;

Do not use the equipment without the lens screen and the lid;

The lens and the light head covers should be timely replaced if any damage to rupture

## 1.4. Prevention of electric shock



The electrical connection must only be carried out with corresponding qualifications;

Before installing, make sure you use the power voltage lamps must comply with the identified power, voltage and have an overload or leakage protection;

Each lamp must be properly grounded, installed in accordance with the relevant standards;



Cut off the power when stall or replace the lamp and the fuse;

Prohibit the use of a lightning storm or wet environment.



## 1.5. To prevent burning or fire

- The fixture can't be mounted directly on the surface of ordinary combustible material.
- The equipment must be installed away from inflammable and explosive materials.

- The highest temperature is 40 ° C when the equipment is in stable state.
- The equipment cannot have an obstacle at least in the range of 0.5 meters.
- Do not replace the non-original parts.



## 2. Package

### 2.1. Attachment


PIXEL ZOOM 285 packed with fly-case of one in one, two in one, or carton box, attach follow accessory:

| CONTENT        | QUANTITY |
|----------------|----------|
| USER MANUL     | 1 piece  |
| CLAMP (option) | 2 pcs    |
| SIGNAL CABLE   | 1 piece  |

### 2.2. Transport protect lock

To protect the light, there is a protect lock; During the transport, the lock will have closed keeping the item in safety state.

### 2.3. About pack stage

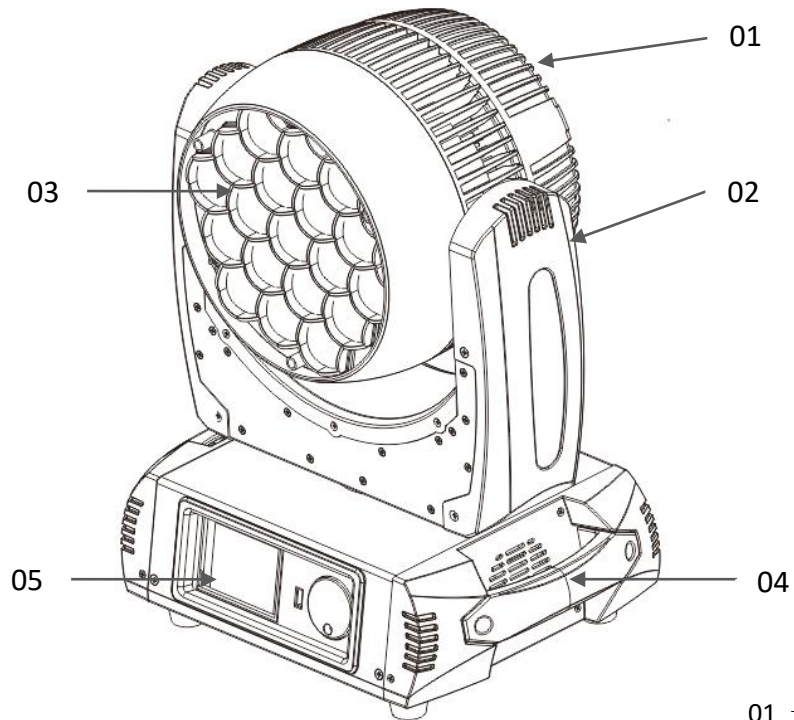
1. Before packed, make sure power is off, and wait for at least 20mins for cooling down.
2. Before cleaning the fixture, make sure X, Y axis protect lock closed.
3. After packed by plastic bag, high-lift the fixture with two handles besides the product. put the product into the fly-case up-side-down. 
4. After packed the product, put the accessory into the accessory case, then closed and lock the fly-case.
5. Fly-case only up stacked two layers. Prohibited upside down
6. When packed with carton box, equipment should be put into the foam first, then set into a carton, pay attention to the vertical position.

### 2.4. Unpacking

Note: Before unpacking check the damage is whether due to the transportation or not, if you find any such damage, please do not use this item, and contact with the dealer or manufacturer as soon as possible.

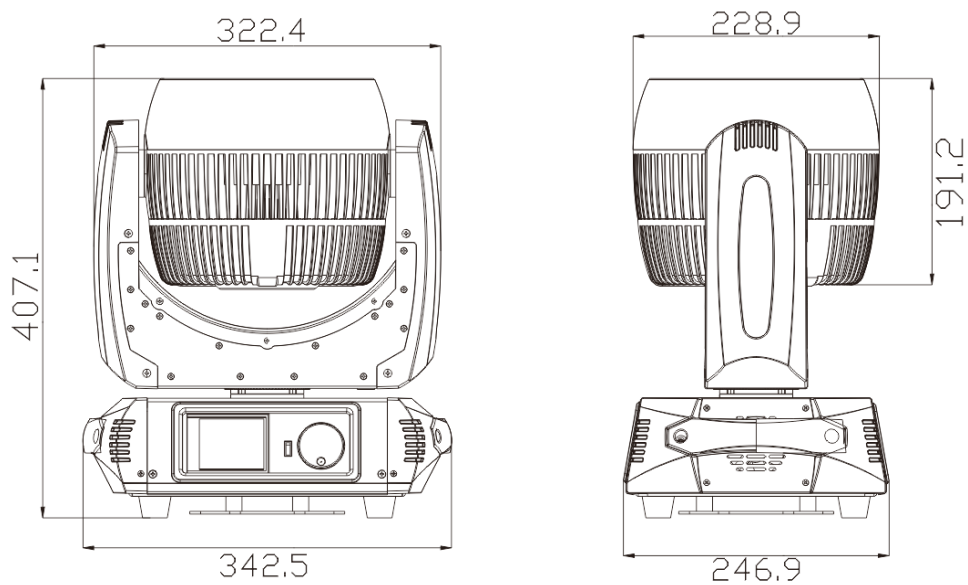
- Open the fly-case, and discover the inside plastic bag.
- High-lift the product by two handles beside the bottom base and move it out.
- Before power on, make sure you have opened the X, Y axis lock!

### 3. Product parts



- 01 — body
- 02 — arm
- 03 — lens
- 04 — handle
- 05 — base bottom

### 4. Dimensions:



## 5. Specification

### 5.1. Specification

Channels mode 14/25/90 CH

Lamp: OSRAM/TAIWAN 15W RGBW 4in1 LED;

Power: 110-240V,50/60Hz;

Total power: 400W;

Display: LCD screen display, can reverse 180°;

Lens: French lens, 8 degree;

Zoom angel : 7.9-38°;

Dimmer : 0-100% linear adjustment ;

Pan : 540°; 8Bit/16Bit ;

Tilt : 270°; 8Bit/16Bit ;

3-phase motor for Pan/Tilt fast moving speed & noiseless;

IP Rate: IP20;

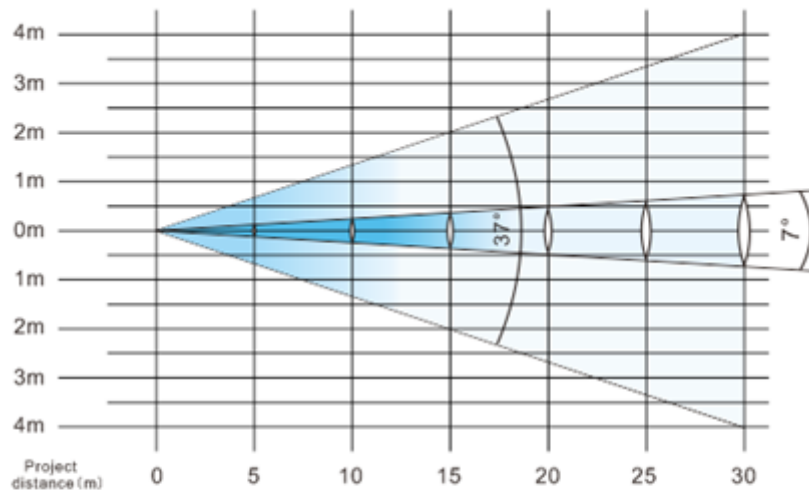
Flight case : 740x400x490 mm; carton : 460x305x420 mm;

Net weight : 12 KG;

Can make the clear spot when beam angel in 7.9-degree, wash effect when in big angle

### 5.2. Luminous diagram

Luminous diagram



Lumen

| DISTANCE     | 10m     |                       | 20m     |                         | 30m     |                         |
|--------------|---------|-----------------------|---------|-------------------------|---------|-------------------------|
| ILLUMINATION | 2091    | 360                   | 523     | 90                      | 232     | 40                      |
| SPOT SIZE    | Φ 1.29m | Φ 6.5m<br><i>zoom</i> | Φ 2.59m | Φ 13.02m<br><i>zoom</i> | Φ 3.88m | Φ 19.53m<br><i>zoom</i> |

## 6. Install standard

### 6.1. Install lock

PIXEL ZOOM 285 can be placed on the stage, or mounted in an arbitrary direction of the truss. Two fast locks system could fix the item easily.

### 6.2. Equipment fixed

- Before installation must verify the fast lock is keep in good state, and can withstand at least 10 times the weight of product. Verify that the building can withstand at least 10 times of the total weight of the product and accessory equipment's.
- Fix the hang fixture into the hole, which located on the base of the price.
- Seize handle of fasteners, clockwise rotate 1/4 turn and lock. Installed other one fastener
- in the same method.
- Using the safety cable which can withstand 10 times the weight of the equipment.
- Make sure the X, Y protect locks are opened, verify that within 3 meters there is no combustibles.

#### WARNING



Fixture must use two fixing devices, and make sure the fixing device have locked! And only fully clockwise rotate 90 ° can lock the hang fixture! Do remember plus a safety rope, and do not connect the safety rope to plastic handle. It should be connected to the hole on the base!

### 6.3. Fixture connects

Attention! One product only can accept one input one output.

**PIXEL ZOOM 285** DMX cable include 3 contact pins:

Pin 1, FOR GROUND; Pin 2 connected to the negative polarity signal; The pin 3 connected to the positive polarity signal.

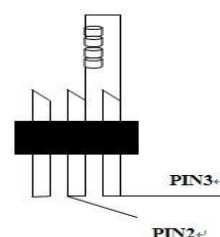
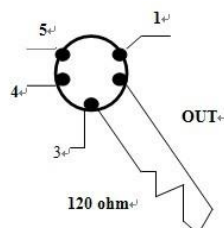


DMX512 cable must use the professional shielded twisted pair cable; standard loudspeaker cable is not reliable to control the long-range data. 24AWG cable is suitable for more than 300 meters long-distance signal transmission and must add\ DMX 512 signal amplifier.

Do not use two outputs to separate the connection, if separate a continuous connection to branch, DMX512 splitter is necessary.

If use the DMX512 splitter. At first connect DMX512 Splitter input terminal to controller, and then connected from the splitter output terminal to next device.

Do as above guide to connect other device, and finally coupled with terminal insertion as following:





## 7. Power supply

### 7.1. Voltage, power, fuse specification

| Input Voltage | Total Power | Frequency |
|---------------|-------------|-----------|
| 110~240V      | 400 W       | 50/60HZ   |

## 8. Control panel menu operate

| 9. LM285 LCD DISPLAY CONTENTS |               |          |              |                                      |
|-------------------------------|---------------|----------|--------------|--------------------------------------|
| Main Menu                     | Submenu 1     | Submenu2 | Function SET | Function description                 |
|                               |               |          |              |                                      |
| DMX ADDRESS                   | <<            |          | 001-512      | address minimum value 1              |
|                               | <             |          |              | address + 1                          |
|                               | >             |          |              | address -1                           |
|                               | >>            |          |              | address maximum value 512            |
|                               |               |          | SAVE         | save date and back to main interface |
|                               |               |          | ESC          | back to main interface               |
| FEATURES SETTING              | Run Mode:     |          | DMX          | DMX                                  |
|                               |               |          | Wire         | inactive                             |
|                               |               |          | Aoto         | inactive                             |
|                               | Channel Mode: |          | 14CH         | 14CH                                 |
|                               |               |          | 25CH         | 25CH                                 |
|                               |               |          | 90CH         | 90CH                                 |
|                               | Pan Reverse:  |          | Off          | Pan Scan Normal                      |
|                               |               |          | On           | Pan Scan Reverse                     |
|                               | Tilt Reverse: |          | Off          | Tilt Scan Normal                     |
|                               |               |          | On           | Tilt Scan Reverse                    |
|                               | Opto Check:   |          | Off          | Pan/Tilt optical sensor testing off  |
|                               |               |          | On           | Pan/Tilt optical sensor testing on   |

|                      |              |                        |                             |  |
|----------------------|--------------|------------------------|-----------------------------|--|
|                      | PT Speed:    |                        | Noml                        | Pan/Tilt Scan Speed setting normal                       |
|                      |              |                        | Slow                        | Pan/Tilt Scan Speed setting slow                         |
|                      |              |                        | Fast                        | Pan/Tilt Scan Speed setting fast                         |
|                      | Singl Clear: |                        | Off                         | keep signal data   |
|                      |              |                        | On                          | clear signal data  |
|                      |              |                        | ADV.                        | enter advanced function                                  |
|                      |              |                        | RST.                        | reset and back to main interface                         |
|                      |              |                        | SAVE                        | save date and back to main interface                     |
|                      |              |                        | ESC                         | back to main interface                                   |
|                      |              |                        |                             |  |
| ADVANCED<br>FUNCTION | Redress      | ZEROSSETTING           |                             |  |
|                      |              | Pan:                   | 0-255                       | Motor zero calibration                                   |
|                      |              | Tilt:                  |                             |  |
|                      |              | Focus:                 |                             |  |
|                      |              |                        | SAVE                        | save date and back to last interface                     |
|                      |              |                        | >                           | the current value + 1                                    |
|                      |              |                        | <                           | the current value - 1                                    |
|                      |              |                        | ESC                         | back to last interface                                   |
|                      | ChanlDef     |                        |                             | inactive   |
|                      | FactSett     |                        |                             |  |
|                      | UseManage    | Limit                  | LimitTime                   | inactive   |
|                      |              |                        | limitCont                   | inactive   |
|                      |              | DefConfig              | YES                         | restore default and exit from the current interface      |
|                      |              |                        | NO                          | exit from the current interface                          |
|                      |              | FacConfig              | SAVE                        | save factory configuration ,exit from current interface  |
|                      |              |                        | EPRT                        | export factory configuration exit from current interface |
|                      | ESC          |                        | exit from current interface |  |
|                      | ESC          | back to last interface |                             |  |
| UNLOCK               | Verify1:     |                        | 0-255                       | unlocking code   |
|                      | Verify2:     |                        |                             |  |

|           |                 |                        |            |   |
|-----------|-----------------|------------------------|------------|---|
|           |                 |                        | KEY        | password to enter the next interface, Otherwise the exit from the current interface |
|           |                 |                        | ESC        | exit from current interface   |
| MANUAL    | LAMP REST       |                        | ALL MOTER  | all motors  |
|           |                 |                        | XY MOTER   | function inactive   |
|           |                 |                        | PART MOTER | function inactive   |
|           |                 |                        | YES        | Reset the selected motor  |
|           |                 |                        | ESC        | back to last interface  |
|           | TEST RUN        | AUTO                   |            | auto  |
|           |                 | SOUND                  |            | sound control   |
|           |                 |                        | ESC        | back to last interface  |
|           | SMULATE DMX     | Beam Strobe:           | 0-255      | manual control  |
|           |                 | Beam Dimmer:           |            |   |
|           |                 | Focus:                 |            |   |
|           |                 | Pan:                   |            |   |
|           |                 | Pan Fine:              |            |   |
|           |                 | Tilt:                  |            |   |
|           |                 | Tilt Fine:             |            |   |
|           |                 | Function:              |            |   |
|           |                 | Beam Macro:            |            |   |
|           |                 | Beam Red:              |            |   |
|           |                 | Beam Green:            |            |   |
|           |                 | Beam Blue:             |            |   |
|           |                 | Beam White:            |            |   |
|           |                 | Colour Grad:           |            |   |
|           |                 | Gobo:                  |            |   |
|           |                 | Shape Selection:       |            |   |
|           |                 | Shape Speed:           |            |   |
|           |                 | Shape Fade:            |            |   |
|           |                 | Shape R:               |            |   |
|           |                 | Shape G:               |            |   |
|           |                 | Shape B:               |            |   |
|           |                 | Shape W:               |            |   |
|           |                 | Shape Dim:             |            |   |
|           | Background Dim: |                        |            |   |
| Reserved: |                 |                        |            |   |
|           | >               | current value + 1      |            |   |
|           | <               | current value - 1      |            |   |
|           | ESC             | back to last interface |            |   |

|                    |               |             |                            |                                    |
|--------------------|---------------|-------------|----------------------------|------------------------------------|
|                    | ESC           |             | back to main interface     |                                    |
| SYSTEM<br>INFO     | DMX<br>VALUE  | CH00-CH25   | 0-255                      | DMX value number                   |
|                    | REST INFO     | Pan:        | Right/Erro                 | Motor reset state                  |
|                    |               | Tilt:       |                            |                                    |
|                    |               | Focus:      |                            |                                    |
|                    |               | Pan Opto:   |                            |                                    |
|                    |               | Tilt Opto:  |                            |                                    |
|                    |               |             | ESC                        | back to last interface             |
|                    | OTHER<br>INFO | Run Time:   | 0-9999                     | fixture running how many hours     |
|                    |               | Run Count:  | 0-9999                     | fixture running times              |
|                    |               | Residue T:  | Most                       | running hours unlimited            |
|                    |               | Residue C:  | Most                       | running time unlimited             |
|                    |               | Type:       | LM285                      | light model                        |
|                    |               | Temp:       | xxx                        | led temperature                    |
|                    |               | Fan 1:      | 0-9999                     | Fan 1 rotate speed                 |
|                    |               | Fan 2:      | 0-9999                     | Fan 2 rotate speed                 |
|                    |               | Lamp brand: | CN/OSM                     | LED brand                          |
|                    |               | DisVersion: | Vxxx                       | Panel software version number      |
|                    |               | XY Version: | Vxxx                       | XY Driver software version number  |
|                    |               | M1 Version: | Vxxx                       | M1 software version number         |
|                    |               |             |                            | ESC                                |
| ESC                |               |             | back to main interface     |                                    |
| DISPLAY<br>SETTING | Light Set:    |             | 1-7Lev                     | Backlight brightness Settings      |
|                    | Light Off:    |             | On                         | backlight keeps on                 |
|                    |               |             | 1Min                       | backlight off in 1 minutes         |
|                    |               |             | 2Min                       | backlight off in 2 minutes         |
|                    |               |             | 3Min                       | backlight off in 3 minutes         |
|                    | Menu Back:    |             | Off                        | close menu to return automatically |
|                    |               |             | 1Min                       | The menu returns in 1 minute       |
|                    |               |             | 2Min                       | The menu returns after 2 minute    |
|                    |               |             | 3Min                       | The menu returns after 3 minute    |
| Light Flash:       |               | Off         | Closing backlight flashing |                                    |

|                   |                   |  |       |  |
|-------------------|-------------------|--|-------|--|
|                   |                   |  | On    | open backlight flashing                  |
|                   | Touch Cali:       |  | Off   | Close touch calibration                  |
|                   |                   |  | On    | open touch calibration                   |
|                   |                   |  | SAVE  | save the date and back to main interface |
|                   |                   |  | ESC   | back to main interface                   |
|                   |                   |  |       |  |
| DIMMER<br>SETTING | Dimmer<br>Mode:   |  | Fast  | fast                                     |
|                   |                   |  | Noml  | smooth                                   |
|                   | Balance<br>SW:    |  | Off   | The white balance off                    |
|                   |                   |  | On    | The white balance on                     |
|                   | Balance<br>Red:   |  | 0-255 | The white balance red                    |
|                   | Balance<br>Green: |  |       | The white balance green                  |
|                   | Balance<br>Blue:  |  |       | The white balance blue                   |
|                   | Balance<br>White: |  |       | The white balance white                  |
|                   |                   |  |       |  |

## 10.DMX Channels

| 14CH | 25CH | 90CH | Function | DMX value | Description                        |
|------|------|------|----------|-----------|------------------------------------|
| 1    | 1    | 1    | Strobe   | 0 -19     | Strobe OFF                         |
|      |      |      |          | 20 -24    | Strobe ON                          |
|      |      |      |          | 25 -64    | Strobe Fast-Slow                   |
|      |      |      |          | 65 -69    | Strobe ON                          |
|      |      |      |          | 70 -84    | Slow input Strobe Fast-Slow        |
|      |      |      |          | 85 -89    | Strobe ON                          |
|      |      |      |          | 90 -104   | Slow output Strobe Fast-Slow       |
|      |      |      |          | 105-109   | Strobe ON                          |
|      |      |      |          | 110-124   | Random Strobe Fast-Slow            |
|      |      |      |          | 125-129   | Strobe ON                          |
|      |      |      |          | 130-144   | Random Slow input Strobe Fast-Slow |
|      |      |      |          | 145-149   | Strobe ON                          |

|        |              |   |                            |         |                                     |
|--------|--------------|---|----------------------------|---------|-------------------------------------|
|        |              |   |                            | 150-164 | Random Slow output Strobe Fast-Slow |
|        |              |   |                            | 165-169 | Strobe ON                           |
|        |              |   |                            | 170-184 | Pulse Strobe Fast-Slow              |
|        |              |   |                            | 185-189 | Strobe ON                           |
|        |              |   |                            | 190-204 | Random Pulse Strobe Fast-Slow       |
|        |              |   |                            | 205-209 | Strobe ON                           |
|        |              |   |                            | 210-224 | Strobe Fast-Slow                    |
|        |              |   |                            | 225-229 | Strobe ON                           |
|        |              |   |                            | 230-244 | Exposure Strobe Fast-Slow           |
|        |              |   |                            | 245-255 | Strobe ON                           |
| 2      | 2            | 2 | Dimmer                     | 0 -255  | Linear Dimmer Dark-Bright           |
| 3      | 3            | 3 | Focus                      | 0 -255  | Linear Focus                        |
| 4      | 4            | 4 | Pan Rotation               | 0 -255  | 0~540 degree                        |
| 5      | 5            | 5 | Pan Fine                   | 0 -255  | Pan Fine                            |
| 6      | 6            | 6 | Tilt Rotation              | 0 -255  | 0~270 degree                        |
| 7      | 7            | 7 | Tilt Fine                  | 0 -255  | Tilt Fine                           |
| 8      | 8            | 8 | Function set               | 0 -9    | No function                         |
|        |              |   |                            | 10 -14  | Whole light Reset                   |
|        |              |   |                            | 15 -39  | No function                         |
|        |              |   |                            | 40 -44  | XY Normal mode                      |
|        |              |   |                            | 45 -49  | XY Fast mode                        |
|        |              |   |                            | 50 -54  | XY Slow mode                        |
|        |              |   |                            | 55-255  | No function                         |
| 9      | 9            | 9 | Color temperature or color | 0 -9    | No function                         |
|        |              |   |                            | 10 -14  | Moroccan Pink                       |
|        |              |   |                            | 15 -19  | Pink                                |
|        |              |   |                            | 20 -24  | Special rose Pink                   |
|        |              |   |                            | 25 -29  | Follies Pink                        |
|        |              |   |                            | 30 -34  | Fuchsia Pink                        |
|        |              |   |                            | 35 -39  | Surprise Pink                       |
|        |              |   |                            | 40 -44  | Congo Blue                          |
|        |              |   |                            | 45 -49  | Tokyo Blue                          |
|        |              |   |                            | 50 -54  | Deep Blue                           |
|        |              |   |                            | 55 -59  | Just Blue                           |
|        |              |   |                            | 60 -64  | Medium Blue                         |
|        |              |   |                            | 65 -69  | Double CT Blue                      |
|        |              |   |                            | 70 -74  | State Blue                          |
|        |              |   |                            | 75 -79  | Full CT Blue                        |
| 80 -84 | Half CT Blue |   |                            |         |                                     |

|    |    |    |                   |         |   |
|----|----|----|-------------------|---------|---|
|    |    |    |                   | 85 -89  | Steel Blue                                |
|    |    |    |                   | 90 -94  | Lighter Blue                              |
|    |    |    |                   | 95 -99  | Light Blue                                |
|    |    |    |                   | 100-104 | Medium Blue Green                         |
|    |    |    |                   | 105-109 | Dark Green                                |
|    |    |    |                   | 110-114 | Primary Green                             |
|    |    |    |                   | 115-119 | Moss Green                                |
|    |    |    |                   | 120-124 | Fern Green                                |
|    |    |    |                   | 125-129 | JAS Green                                 |
|    |    |    |                   | 130-134 | Lime Green                                |
|    |    |    |                   | 135-139 | Spring Yellow                             |
|    |    |    |                   | 140-144 | Deep Amber                                |
|    |    |    |                   | 145-149 | Chrome Orange                             |
|    |    |    |                   | 150-154 | Orange                                    |
|    |    |    |                   | 155-159 | Gold Amber                                |
|    |    |    |                   | 160-164 | Millennium Gold                           |
|    |    |    |                   | 165-169 | Deep Golden Amber                         |
|    |    |    |                   | 170-174 | Flame Red                                 |
|    |    |    |                   | 115-179 |   |
|    |    |    |                   | 180-201 | Color clockwise run from fast to slow     |
|    |    |    |                   | 202-207 | Stop                                      |
|    |    |    |                   | 208-229 | Color anticlockwise run from slow to fast |
|    |    |    |                   | 230-234 | No function                               |
|    |    |    |                   | 235-249 | Random color Fast-Slow                    |
|    |    |    |                   | 250-255 | No function                               |
| 10 | 10 | 10 | Red beam          | 0-255   | Red Dimmer Dark-Bright                    |
| 11 | 11 | 11 | Green beam        | 0-255   | Green Dimmer Dark-Bright                  |
| 12 | 12 | 12 | Blue beam         | 0-255   | blue dark - bright                        |
| 13 | 13 | 13 | White beam        | 0-255   | white dark- bright                        |
| 14 | 14 | 14 | Color slow change | 0 -7    | --F82                                     |
|    |    |    |                   | 8 -39   | Red to Yellow                             |
|    |    |    |                   | 40 -71  | Yellow to Green                           |
|    |    |    |                   | 72 -103 | Green to Cyan                             |
|    |    |    |                   | 104-135 | Cyan to Blue                              |
|    |    |    |                   | 136-167 | Blue to Magenta                           |
|    |    |    |                   | 168-199 | Magenta to Red                            |
|    |    |    |                   | 200-231 | Red to White                              |
|    |    |    |                   | 232-255 | Color change slow - fast                  |
|    | 15 |    | LED gobo          | 0 -4    | -F91                                      |

|  |    |                   |          |                                       |  |
|--|----|-------------------|----------|---------------------------------------|--|
|  |    |                   |          | 5 -9                                  | Gobo 1                                   |
|  |    |                   |          | 10 -14                                | Gobo 2                                   |
|  |    |                   |          | 15 -19                                | Gobo 3                                   |
|  |    |                   |          | 20 -24                                | Gobo 4                                   |
|  |    |                   |          | ...                                   | ...                                      |
|  |    |                   |          | 185 -189                              | Gobo 37                                  |
|  |    |                   |          | 190 -194                              | Gobo 38                                  |
|  |    |                   |          | 195 -199                              | Gobo 39                                  |
|  |    |                   |          | 200 -204                              | Gobo 40                                  |
|  |    |                   |          | 205 -224                              | Gobo clockwise run from fast to slow     |
|  |    |                   |          | 225 -234                              | Stop                                     |
|  |    |                   |          | 235 -255                              | Gobo anticlockwise run from slow to fast |
|  | 16 | Built-in effects  |          | 0 -4                                  | No function                              |
|  |    |                   |          | 5 -14                                 | LED built-in effect1                     |
|  |    |                   |          | 15 -24                                | LED built-in effect2                     |
|  |    |                   |          | 25 -34                                | LED built-in effect3                     |
|  |    |                   |          | 35 -44                                | LED built-in effect4                     |
|  |    |                   |          | ...                                   | ...                                      |
|  |    |                   |          | 155-164                               | LED built-in effect16                    |
|  |    |                   |          | 165-174                               | LED built-in effect17                    |
|  |    |                   |          | 175-184                               | LED built-in effect18                    |
|  |    |                   |          | 185-194                               | LED built-in effect19                    |
|  |    |                   |          | 195-255                               | Switch Auto. after 1 minute              |
|  |    |                   | 17       | Effect speed                          | 0 -255                                   |
|  | 18 | Effect slow input | 0 -255   | LED built-in effects Gradient Overlay |  |
|  | 19 | Effect red        | 0 -255   | Red Dimmer Dark-Bright                |  |
|  | 20 | Effect green      | 0 -255   | Green Dimmer Dark-Bright              |  |
|  | 21 | Effect blue       | 0 -255   | Blue Dimmer Dark-Bright               |  |
|  | 22 | Effect white      | 0 -255   | White Dimmer Dark-Bright              |  |
|  | 23 | Effect Dimmer     | 0 -255   | Dimmer Dark-Bright                    |  |
|  | 24 | Effect backlight  | 0 -255   | Dimmer Dark-Bright                    |  |
|  | 25 | Reserve           | 0 -255   |                                       |  |
|  |    | 15                | R1Dimmer | 0 -255                                | R1Dimmer Dark-Bright                     |
|  |    | 16                | G1Dimmer | 0 -255                                | G1Dimmer Dark-Bright                     |
|  |    | 17                | B1Dimmer | 0 -255                                | B1Dimmer Dark-Bright                     |
|  |    | 18                | W1Dimmer | 0 -255                                | W1Dimmer Dark-Bright                     |



|  |  |     |           |        |                       |
|--|--|-----|-----------|--------|-----------------------|
|  |  | ... | ...       | ...    |                       |
|  |  | 87  | R19Dimmer | 0 -255 | R19Dimmer Dark-Bright |
|  |  | 88  | G19Dimmer | 0 -255 | G19Dimmer Dark-Bright |
|  |  | 89  | B19Dimmer | 0 -255 | B19Dimmer Dark-Bright |
|  |  | 90  | W19Dimmer | 0 -255 | W19Dimmer Dark-Bright |

## 11. Clear and maintenance



Warning: Please make sure cut off the power before open the covers.

(Kind Remind: Non-Professional don't do this)

1. Cut off the power supply, cool down the lamp and open the covers.
2. Using vacuum or pressure blows gently blow any dust and floating structures.

## 12. Contact:

Please check who is our dealer in your country at our website

**[www.kudux.com](http://www.kudux.com)**

or write direct to us by email: [office@kudux.com](mailto:office@kudux.com)